



CDN M325, M425, M425-3LN, M525

COUPLING / DECOUPLING NETWORK (CDN)

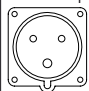
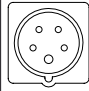
CDN M TYPE



CDN M525

- Designed for IEC/EN 61000-4-6
- Mains application up to 25 A
- 4 mm banana sockets
- CDN M325 and M525 AE port supplied with CEE sockets

IEC/EN 61000-4-6 specifies the design and performance of a range of coupling/decoupling networks (CDNs). Each CDN is specific to the type of cable and the intended signal carried on the cable. Teseq offers an extensive range of CDNs which fully comply with the requirements of the standard and provide a simple and reliable method of injecting RF energy into the equipment under test (EUT).

Product name	Application	Connector EUT port	Connector AE port
CDN M325	3 power lines, (L+N+PE), (2L+PE)	4 mm banana	CEE 17 plug, 3 pins 
CDN M425	4 power lines, (2L+N+PE), (3L+PE)	4 mm banana	4 mm banana
CDN M425-3LN	4 power lines, (3L+N)	4 mm banana	4 mm banana
CDN 525	5 power lines, (3L+N+PE)	4 mm banana	CEE 17 plug, 5 pins 

Technical specifications CDN M325, M425, M425-3LN and M525

Frequency range:	150 kHz to 230 MHz
Power rating (EUT- and AE port)	
AC max. voltage (line to ground):	250 V
DC max. voltage (line to ground):	400 V
Current max :	25 A
Test voltage:	3 kV DC, 2 sec
Common mode impedance (EUT port)	
150 kHz to 26 MHz:	150 Ω ±20 Ω
26 MHz to 230 MHz:	150 Ω +60 Ω / -45 Ω
Coupling path (In/Out port/EUT)	
Connection:	BNC 50 Ω
RF voltage:	<30 V
Voltage division factor (RF input to EUT port)	
150 kHz to 80 MHz:	9.5 dB +3 dB / -1 dB
80 MHz to 230 MHz:	9.5 dB +4 dB / -1 dB



Advanced Test Solutions for EMC

CDN M325, M425, M425-3LN, M525 COUPLING / DECOUPLING NETWORK (CDN) CDN M TYPE

Technical specifications CDN M325, M425, M425-3LN and M525 (continued)

Insertion loss (EUT / AE) $f < 400$ Hz:	<0.1 dB
Decoupling of CM disturbance (RF port / AE)	
150 kHz:	>30 dB
1.5 MHz:	>60 dB
30 MHz:	>40 dB
230 MHz:	>20 dB

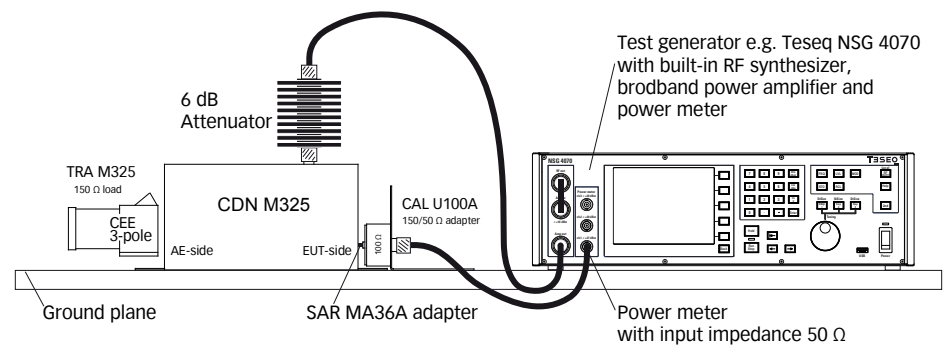
Mechanical specifications

Size (W x H x D):	160 mm x 160 mm x 500 mm
Weight:	approx. 6.5 kg

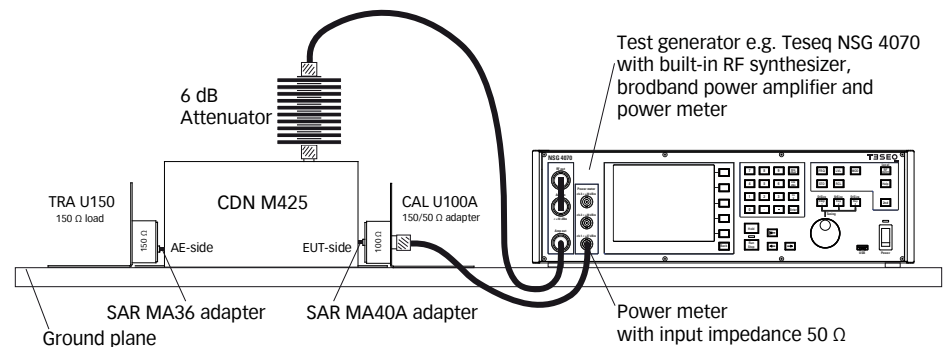


Connector CDN M325 AE side

Test set-up calibration with CDN M425



Test set-up calibration with CDN M425



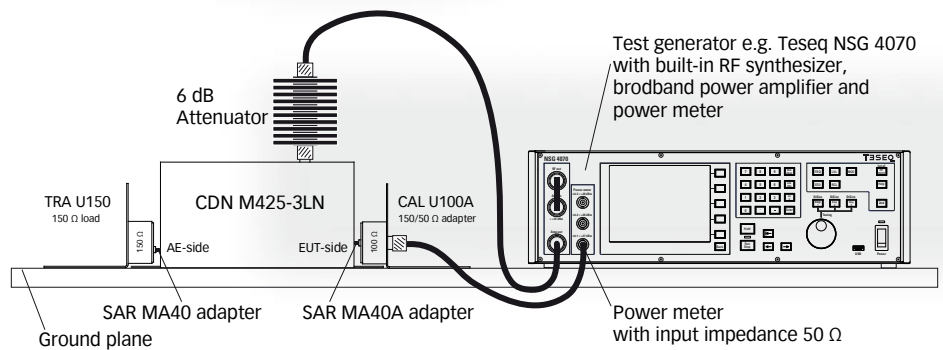
TRA M325

CDN M325, M425, M425-3LN, M525 COUPLING / DECOUPLING NETWORK (CDN) CDN M TYPE

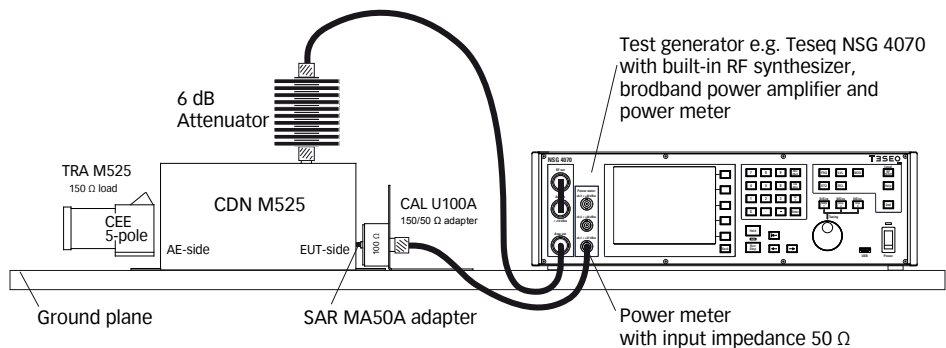


Connector CDN M525 EUT side

Test set-up calibration with CDN M425-3LN

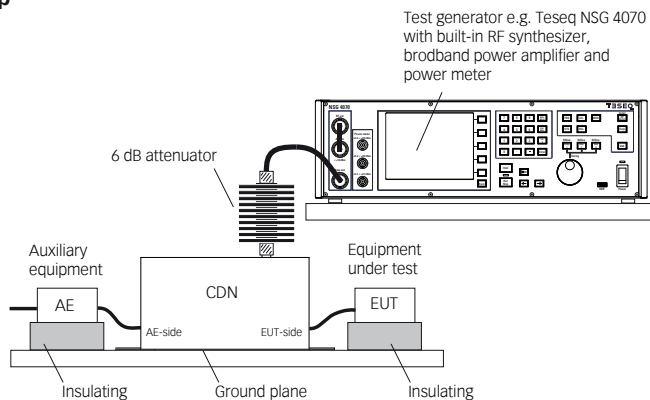


Test set-up calibration with CDN M525



Connector CDN M525 AE side

EUT test set-up



TRA M525



Advanced Test Solutions for EMC

CDN M325, M425, M425-3LN, M525

COUPLING / DECOUPLING NETWORK (CDN)

CDN M TYPE



CDN M525S

Delivery information

Part number	Description
234903	CDN M325 CDN M3, 25A, 230MHz (AE CEE-plug, EUT banana), L,N,PE
244108	CDN M325S CDN M3, 25 A, 230 MHz (AE CEE-plug, EUT banana), L,N,PE with calibration adapter set in suitcase
231021	CDN M425 CDN M4, 25 A, 230 MHz (banana), 3xL,PE
244135	CDN M425S CDN M4, 25 A, 230 MHz (banana), 3xL,PE with calibration adapter set in suitcase
244164	CDN M425-3LN CDN M4, 25 A, 230 MHz (banana), 3xL,N (without PE line)
244165	CDN M425-3LNS CDN M4, 25 A, 230 MHz (banana), 3xL,N (without PE line) with calibration adapter set in suitcase
234902	CDN M525 CDN M5, 25 A, 230 MHz (AE CEE-plug, EUT banana), 3xL,N,PE
244137	CDN M525S CDN M5, 25 A, 230 MHz (AE CEE-plug, EUT banana), 3xL,N,PE with calibration adapter set in suitcase
97-231024	CDN-TC Traceable calibration (ISO17025) for IEC 61000-4-6 requirements, order only with device CDN M, AF, S or T00x type
242401	CAL U100A Universal calibration unit in safety design (150 Ω /50 Ω adapter)
239903	TRA U150 Universal termination resistor 150 Ω AE side
239918	SAR MA36 Shorting adapter for CDN A301 and M416
242434	SAR MA36A Shorting safety adapter for CDN M316, M316B and M325
239919	SAR MA40 Shorting adapter for CDN A401 and M416-3LN
242436	SAR MA40A Shorting safety adapter for CDN M416, M416-3LN and M425
242437	SAR MA50A Shorting safety adapter for CDN M516 and M525
242459	TRA M325 Termination unit for CDN M325
234962	TRA M525 Termination unit for CDN M525