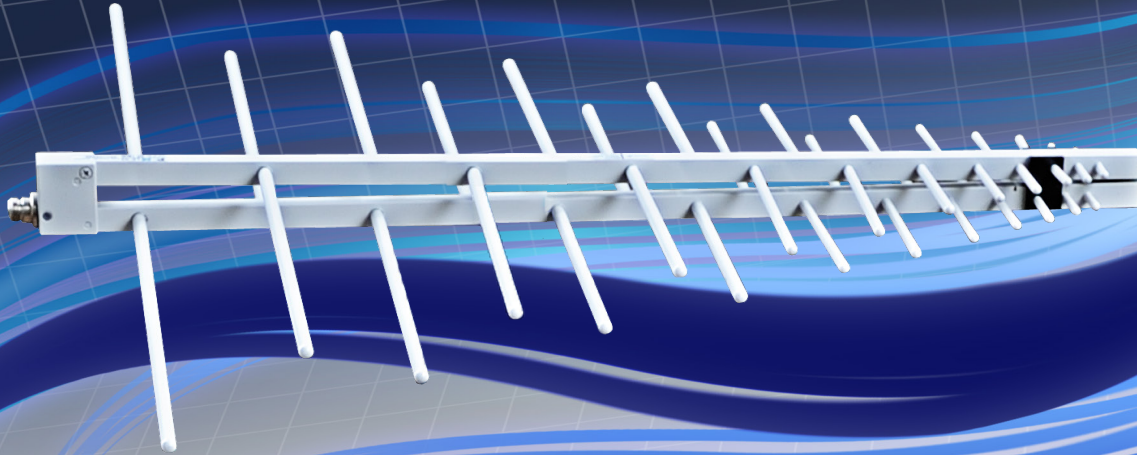


# LP-02

Log-periodic antenna 200 MHz to 3 GHz



## Main Features

- 200 MHz to 3 GHz frequency range
- Excellent Antenna Factor
- Tripod adapter for easy vertical-horizontal polarization change
- Individual calibration
- Robust, rustproof aluminium construction
- Lightweight

LP-02 is a log-periodic antenna designed for radiated emissions and immunity application.

It can be used in conjunction with any receiver or spectrum analyzer.

Its ideal companion is the EMI Receiver Unit 9030 or 9060 that can be easily mounted on the antenna mast (\*).

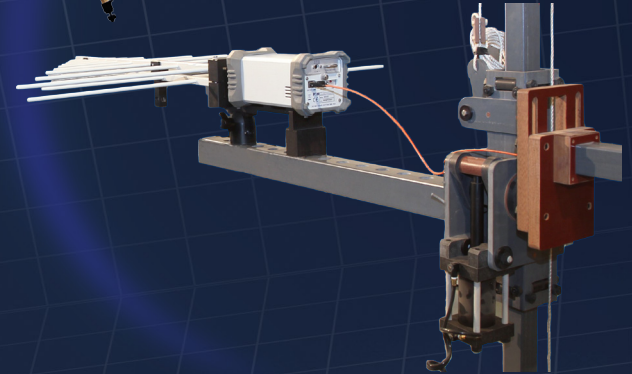
(\*)The direct connection between antenna and PMM Receiver Unit eliminates additional sources of uncertainties due to coaxial cable attenuation and scattering. For further information please consult our brochure "Fully CISPR-Compliant Digital EMC/EMI receivers 10 Hz to 18 GHz".

# PMM LP-02

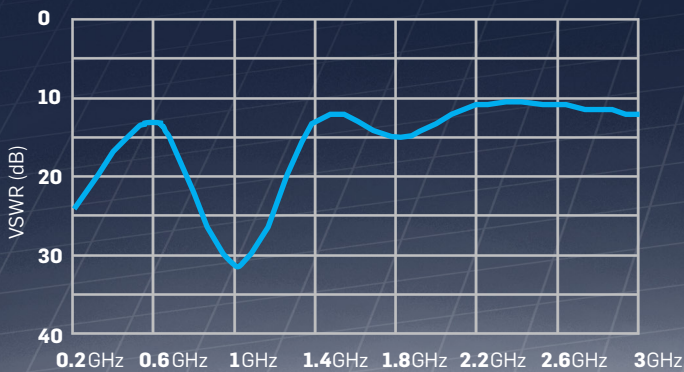
Log-periodic antenna 200 MHz to 3 GHz

## SPECIFICATIONS

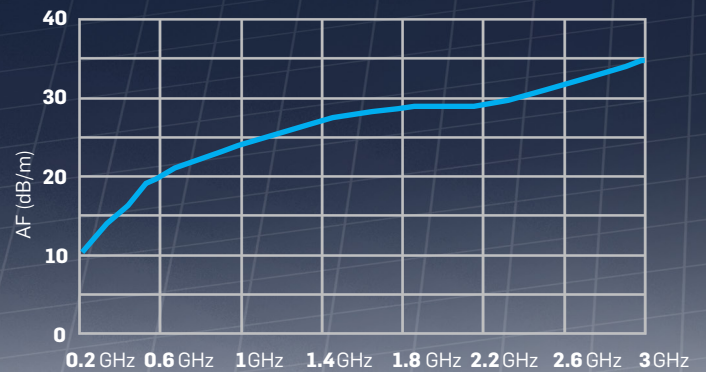
Frequency range	200 MHz to 3 GHz
Impedance	50 $\Omega$ nominal
Gain	6 dBi typical
Antenna factor	13 to 36 dB/m typical
VSWR	< 2:1 (1,2:1 typ.)
Construction	Aluminium
Max input power	100 W up to 1 GHz 50 W up to 3 GHz
Connector	N-female
Dimensions LxHxW	70 x 10 x 86 cm
Weight	1,1 Kg
Colour	RAL 7035



LP-02 with 9030



LP-02 - VSWR



LP-02 - Antenna Factor @ 10m

## Ordering Information:

Log-periodic Antenna LP-02 with individual calibration report  
Log-periodic Antenna LP-02/TC with typical calibration report  
Includes: Operating Manual, Soft Carrying Case, Calibration Report

## Optional accessories:

TR-01 Wooden tripod extensible 60 - 180 cm with antenna mounting adapter for fast horizontal to vertical polarization changing  
RF Cable/5 RF cable, N-N connector, length 5 m

## Related Products

### Receivers

- 7010/00: EMI receiver 150 kHz to 1 GHz
- 7010/01: EMI receiver 9 kHz to 1 GHz
- 9010: EMI receiver 10 Hz to 30 MHz
- 9010F: EMI receiver 10 Hz to 30 MHz
- 9010/03P: EMI receiver 10 Hz to 300 MHz
- 9010/30P: EMI receiver 10 Hz to 3 GHz
- 9010/60P: EMI receiver 10 Hz to 6 GHz
- 9030: EMI Receiver 30 MHz to 3 GHz
- 9060: EMI Receiver 30 MHz to 6 GHz

### Antennas

- BC-01: Biconical Antenna 30 to 200 MHz
- DR-01: Double-ridged horn antenna 6 to 18 GHz
- LP-03: Log Periodic Antenna 800 MHz to 6 GHz
- TR-01: Antenna Tripod
- VDH-01: Van der Hoofden test-head 20 kHz to 10 MHz
- Antenna Set AS-02 (BC01+LP02+TR01)
- Antenna Set AS-03 (BC01+LP02+LP03+TR01)
- RA01: Rod Antenna 9 kHz to 30 MHz
- RA01-HV: Rod Antenna 150 kHz to 30 MHz
- RA01-MIL: Rod Antenna 9 kHz to 30 MHz

### Calibrations service

- Ansi 63.5 Antenna Factor
- SAE ARP 958-D
- Free-Space Antenna Factor



Sales Office:  
Via Leonardo da Vinci, 21/23  
20090 Segrate (Milano) - ITALY  
Phone: +39 02 2699871  
Fax: +39 02 26998700

E-Mail: [nardait.support@L-3com.com](mailto:nardait.support@L-3com.com)  
Internet: [www.narda-sts.it](http://www.narda-sts.it)

Headquarter:  
Via Benesse, 29/B  
17035 Cisano sul Neva (SV) - ITALY  
Phone: +39 0182 58641  
Fax: +39 0182 586400